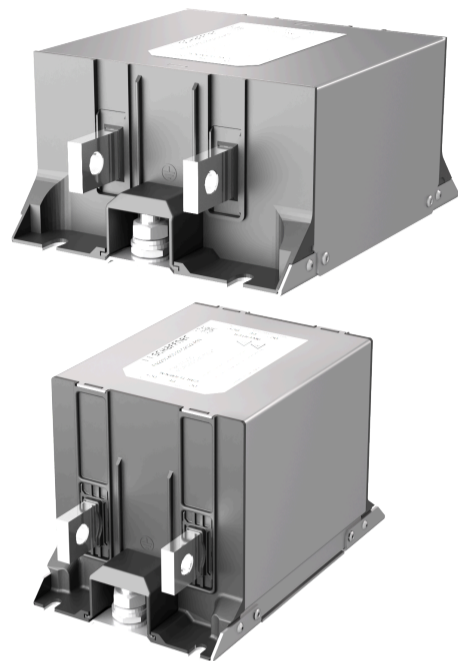


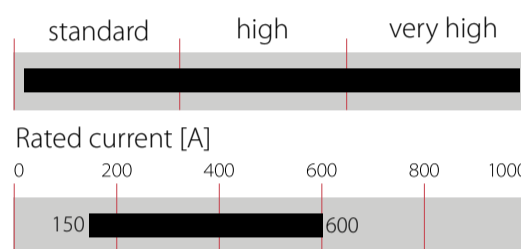
DC-Busbar EMC/RFI Filter for EV charging applications



- Designed for usage in EV charging applications
- Ultra-compact filter
- Multiple performance options
- Design acc. to EV charging safety standards



Performance indicators



Approvals & Compliances



Features and Benefits

- FN222X, FN223X and FN224X series of filters provides state-of-the-art EMI attenuation with a choice of three performance levels
- The filters are built to fit perfectly to high power EV charging applications
- The shape allows a convenient and space-saving installation
- Fulfills the requirements in IEC/EN 61851-23 Electric vehicle conductive charging system
- Fulfills the requirements in UL 2202 Electric Vehicle (EV) Charging System Equipment
- FN224X offers voltage and performance ratings of FN222X on a smaller footprint

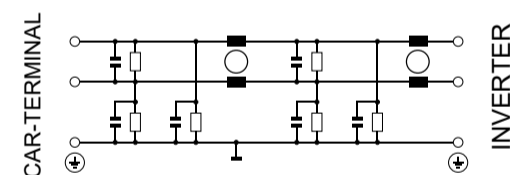
Typical Applications

- High Power EV DC charging beyond HPC350 (500 A @ 920 V)
- Two voltage levels (500 VDC and 1000 VDC) for CHAdeMO and CCS

Technical Specifications

Maximum continuous operating voltage	1000 VDC (FN222X, FN224X) 500 VDC (FN223X)
Operating frequency	DC
Rated currents	150 to 600 A @ 55 °C
Overload capability	6x rated current for 1 sec, once per hour 1.5x rated current for 1 minute, once per hour
Climatic class	40/100/21 acc. to IEC 60068-1
Temperature range (operation and storage)	-40 °C to +100 °C (with current derating >55 °C)
High potential test voltage	DC+ -> DC- 3600 VDC for 2 s (FN222X, FN224X)* DC+ -> DC- 2000 VDC for 2 s (FN223X)* DC+/DC- -> PE 5000 VDC for 2 s (FN222X, FN224X)* DC+/DC- -> PE 2500 VDC for 2 s (FN223X)*
Pollution degree	PD 3 acc. IEC 60664-1
Overvoltage category	II acc. IEC 60664-1
Surge withstand	DC+/DC- to PE: 4000 V (FN223X) / 6000 V (FN222X, FN224X); DC+ to DC-: 2000 V; acc. to IEC 61000-4-5
Altitude	up to 2000 m no derating applies. Above 2000 m derating acc. to IEC 60664-1 applies
Protection category	IP00 acc. to IEC 60529
Vibration and shock	3M12 (operation) acc. to IEC 60721-3-3
Flammability corresponding to	Plastics: UL 94 V-0
MTBF	> 300,000 hours
Cooling	Natural convection AN
Certified to	UL 60939-3, IEC 60939-3, CSA 22.2 No. 8-13
Output connections	Ni-plated busbars

Typical electrical schematic



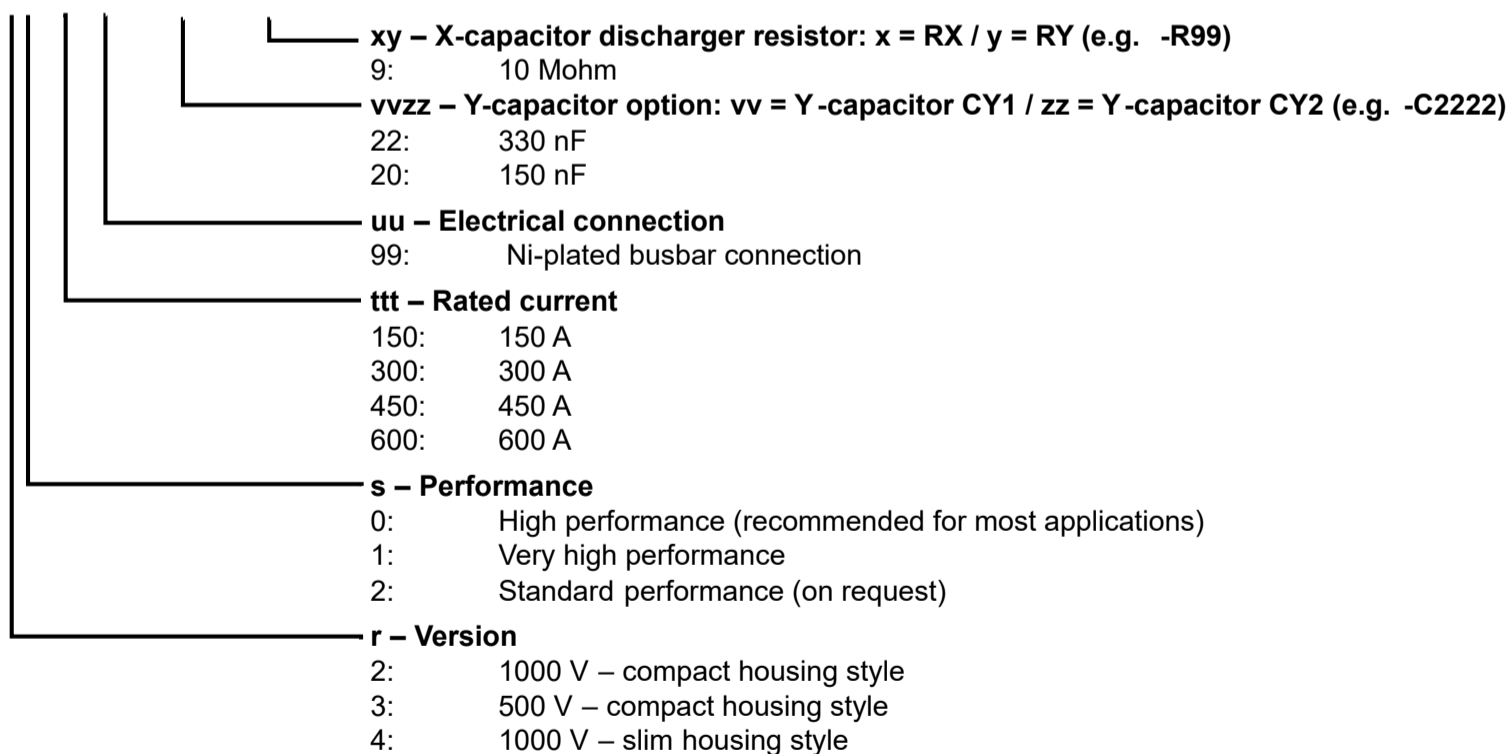
Filter Selection Table

Filter	Rated current @55°C [A]	Capacitance*		total equiv. capacitance to PE [nF]	Resistance*		Typical power dissipation @25°C/DC [W]	Weight approx. [kg]
		CY1	[nF] CY2		[MOhm]			
					RX	RY		
1000 VDC - compact housing style								
High performance:								
FN2220-150-99-C2222-R99	150	330	330	990	10	10	6	3
FN2220-300-99-C2222-R99	300	330	330	990	10	10	14	3
FN2220-450-99-C2222-R99	450	330	330	990	10	10	14	3
FN2220-600-99-C2222-R99	600	330	330	990	10	10	25	3
Very high performance:								
FN2221-600-99-C2222-R99	600	330	330	990	10	10	25	3
500 VDC - compact housing style								
High performance:								
FN2230-150-99-C2022-R99	150	150	330	960	10	10	6	3
FN2230-300-99-C2022-R99	300	150	330	960	10	10	14	3
FN2230-450-99-C2022-R99	450	150	330	960	10	10	14	3
FN2230-600-99-C2022-R99	600	150	330	960	10	10	25	3
Very high performance:								
FN2231-600-99-C2022-R99	600	150	330	960	10	10	25	3
1000 VDC - slim housing style								
High performance:								
FN2240-150-99-C2222-R99	150	330	330	990	10	10	6	3
FN2240-300-99-C2222-R99	300	330	330	990	10	10	14	3
FN2240-450-99-C2222-R99	450	330	330	990	10	10	14	3
FN2240-600-99-C2222-R99	600	330	330	990	10	10	25	3
Very high performance:								
FN2241-600-99-C2222-R99	600	330	330	990	10	10	25	3

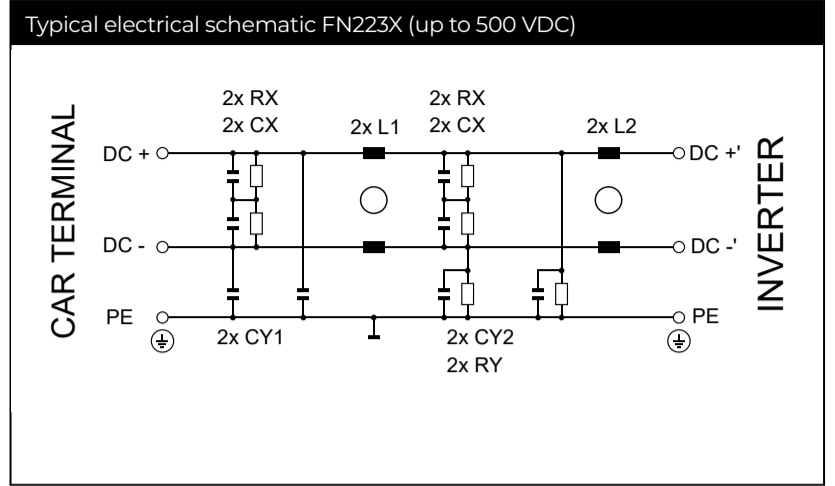
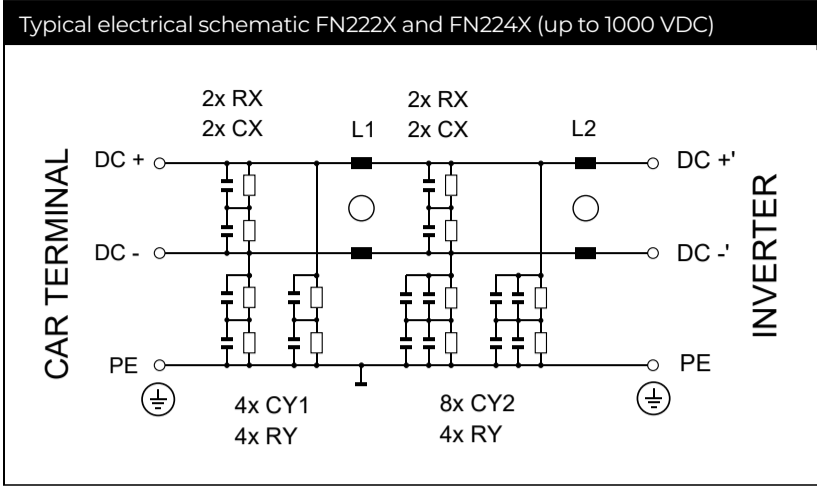
* Tolerances apply: Capacitance: ±20%, Resistance: ±10%

Product Selector*

FN22rs-ttt-uu-Cvvzz-Rxy



*Filter can be adapted to specific requirements. Variations of resistor and capacitor values available on request.

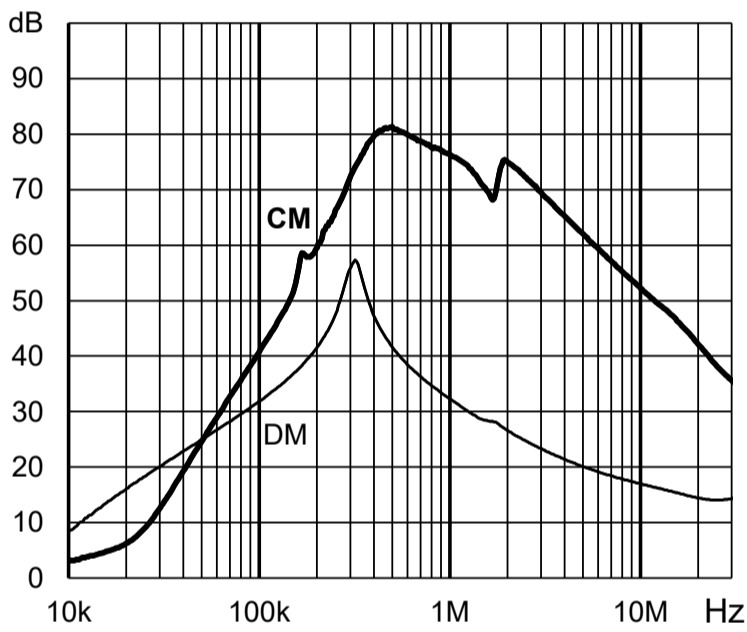


Typical Filter Attenuation

Per CISPR 17: symmetrical 50 Ω/50 Ω -> Differential Mode (DM); asymmetrical 50 Ω/50 Ω -> Common Mode (CM)

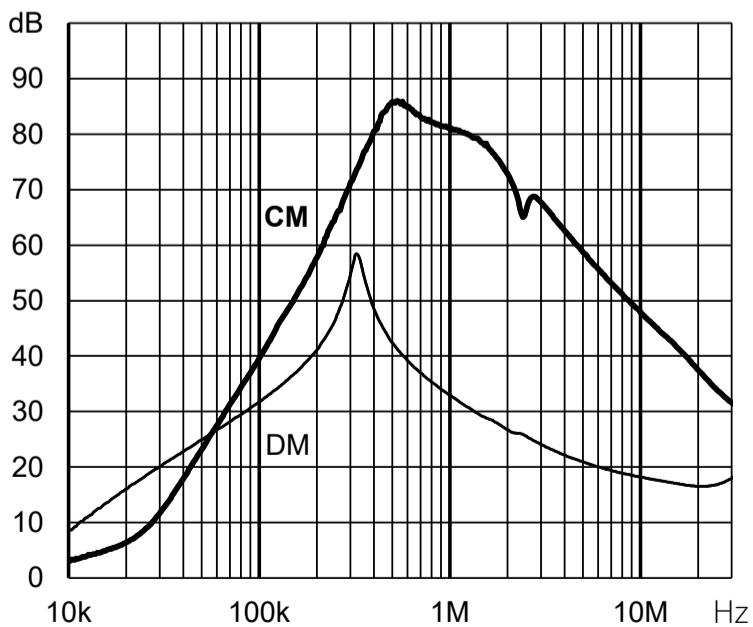
FN2220-ttt-uu-C2222-Rxy and FN2240-ttt-uu-C2222-Rxy

High Performance



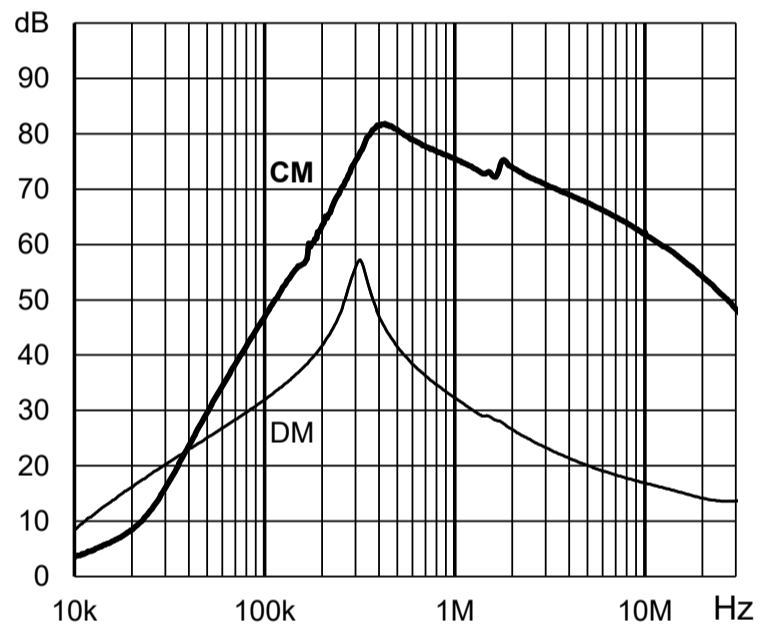
FN2230-ttt-uu-C2022-Rxy

High Performance



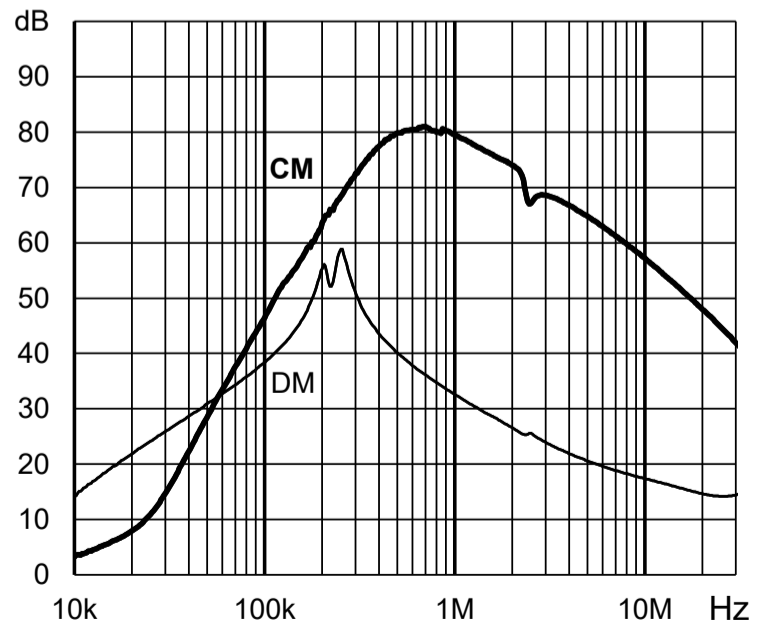
FN2221-ttt-uu-C2222-Rxy and FN2241-ttt-uu-C2222-Rxy

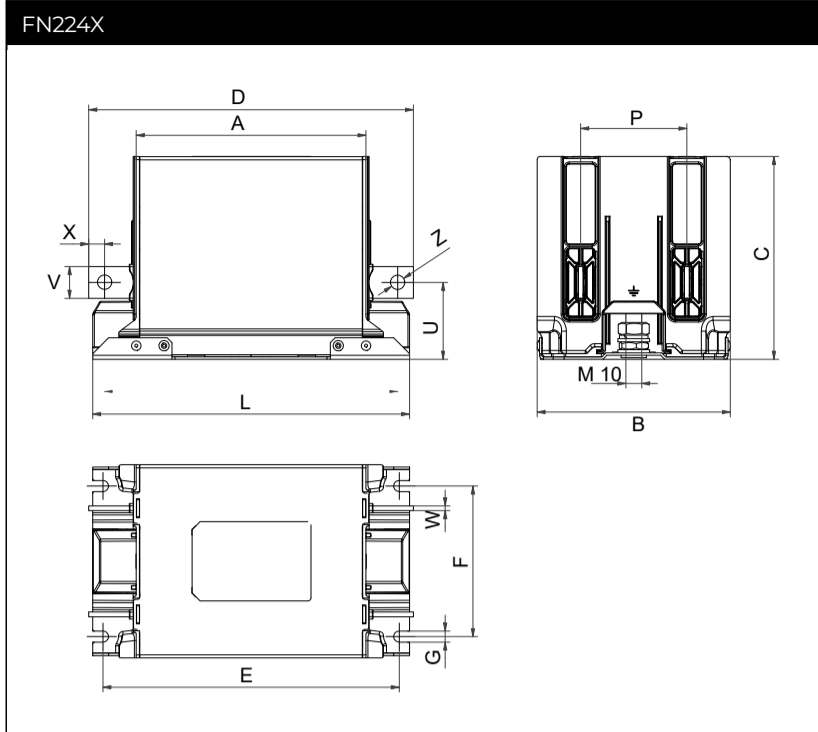
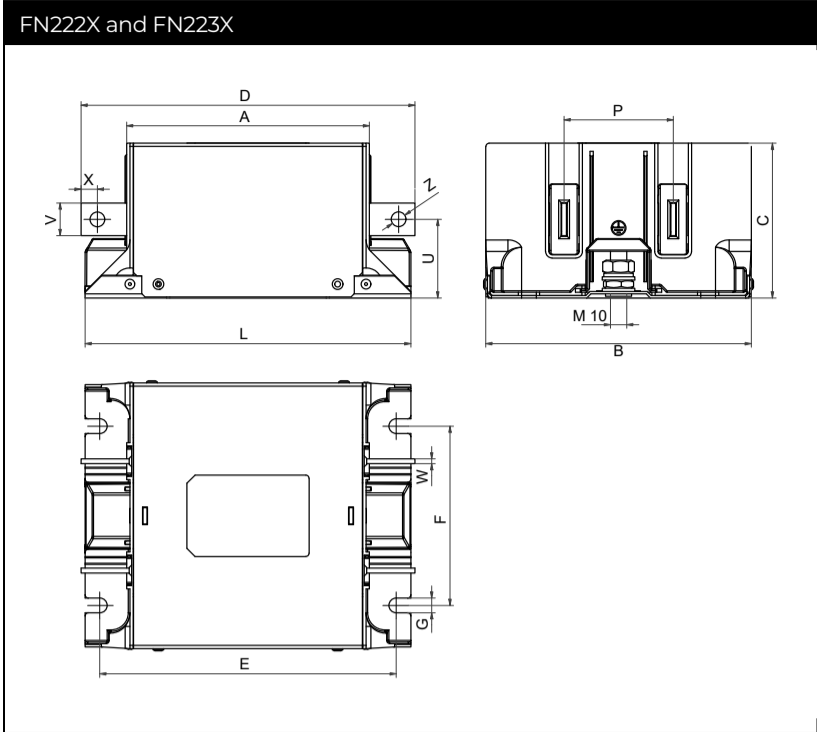
Very High Performance



FN2231-ttt-uu-C2022-Rxy

Very High Performance





Dimensions*

	FN222X and FN223X				FN224X				Tolerances
	150 A	300 A	450 A	600 A	150 A	300 A	450 A	600 A	
A	145	145	145	145	145	145	145	145	±1
B	163	163	163	163	122	122	122	122	
C	95	95	95	95	128	128	128	128	±1
D	205	210	210	210	205	210	210	210	±2
E	182	182	182	182	187	187	187	187	
F	110	110	110	110	95	95	95	95	
G	9	9	9	9	7	7	7	7	
L	200	200	200	200	200	200	200	200	
P	67	67	67	67	67	67	67	67	±1
U	48	48	48	48	48	48	48	48	±1
V	20	25	25	25	20	25	25	25	
W	3	4	8	8	3	4	8	8	
X	10	12.5	12.5	12.5	10	12.5	12.5	12.5	
Z	9	11	11	11	9	11	11	11	

* All dimensions in mm. For dimensions without stated tolerances: ISO 2768-m/EN 22768-m applies.

Headquarters, Global Innovation and Development

Switzerland

Schaffner Holding AG

Industrie Nord
Nordstrasse 11e
4542
Luterbach
+41 32 681 66 26
info@schaffner.com

Sales and Application Centers

China

Schaffner EMC Ltd. Shanghai

T20-3 C, No 565 Chuangye Road, Pudong district
201201
Shanghai
+86 2138139500
cschina@schaffner.com

Finland

Schaffner Oy

Sauvonrinne 19 H
8500
Lohja
+358 50 468 7284
finlandsales@schaffner.com

France

Schaffner EMC S.A.S.

16-20 Rue Louis Rameau
95875
Bezons
+33 1 34 34 30 60
francesales@schaffner.com

Germany

Schaffner Deutschland GmbH

Schoemperlenstrasse 12B
76185
Karlsruhe
+49 721 56910
germanysales@schaffner.com

India

Schaffner India Pvt. Ltd

Regus World Trade Centre
WTC, 22nd Floor Unit No 2238, Brigade Gateway Campus, 26/1, Dr. Rajkumar Road Malleshwaram (W)
560055
Bangalore
+91 8067935355
indiasales@schaffner.com

Italy

Schaffner EMC S.r.l.

Via Ticino, 30
20900
Monza (MB)
+39 039 21 41 070
italysales@schaffner.com

Japan

Schaffner EMC K.K.

ISM Sangenjaya 7F
1-32-12 Kamiuma, Setagaya-ku
154-0011
Tokyo
+81 3 5712 3650
japansales@schaffner.com

Singapore

Schaffner EMC Pte Ltd.

Blk 3015A Ubi Road 1, #05-09, Kampong Ubi Industrial Estate
408705
Singapore
+65 63773283
singaporesales@schaffner.com

Spain

Schaffner EMC España

Calle Caléndula 93, Miniparc III, Edificio E El Soto de Moraleja, Alcobendas
28109
Madrid
+34 917 912 900
spainsales@schaffner.com

Sweden

Schaffner EMC AB

Östermalmstrorg 1
114 42
Stockholm
+46 8 5050 2425
swedensales@schaffner.com

Switzerland

Schaffner EMV AG

Industrie Nord
Nordstrasse 11e
4542
Luterbach
+41 32 681 66 26
switzerlandsales@schaffner.com

Taiwan

Schaffner EMV Ltd.

U-Town
20 Floor-2, No 97, Section 1, XinTai 5th Road, XiZhi District
22175
New Taipei City
+886 226975500
taiwansales@schaffner.com

Thailand

Schaffner EMC Co. Ltd.

Sathorn Square Tower
Room 3780, 37FL, 98 North-Sathorn Rd, Silom, Bangrak
10500
Bangkok
+66 621056397
thailandsales@schaffner.com

United Kingdom

Schaffner Ltd.

1, Oakmede Place
Terrace Road
RG42 4JF
Binfield
+44 118 9770070
uksales@schaffner.com

United States

Schaffner EMC Inc.

52 Mayfield Avenue
Edison, New Jersey
+1 732 225 9533
usasales@schaffner.com

To find your local partner within Schaffner's global network schaffner.com

© 2022 Schaffner Group

The content of this document has been carefully checked and understood. However, neither Schaffner nor its subsidiaries assume any liability whatsoever for any errors or inaccuracies of this document and the consequences thereof. Published specifications are subject to change without notice. Product suitability for any area of application must ultimately be determined by the customer. In all cases, products must never be operated outside their published specifications. Schaffner does not guarantee the availability of all published products. This disclaimer shall be governed by substantive Swiss law and resulting disputes shall be settled by the courts at the place of business of Schaffner Holding AG. Latest publications and a complete disclaimer can be downloaded from the Schaffner website. All trademarks recognized.